

Biometric Flap Barrier



FB3000: Single Lane Flap Barrier

FB3011: Single Lane Flap Barrier with RFID Access Control System

FB3022: Single Lane Flap Barrier with Fingerprint and RFID Access Control System

FB3200: Double Wing Flap barrier for Additional Lane

FB3211: Double Wing Flap barrier for Additional Lane with RFID Access Control System

FB3222: Double Wing Flap barrier for Additional Lane with Fingerprint and RFID Access Control System

FB3000 is a single-lane flap barrier consisting of a master-device and a slave-device to form an entrance.

FB3200 is a double-wing flap barrier to be equipped with FB3000 to form multi-entrances.

Flap Barriers are well adopted in entrances and exits of buildings or construction sites, to help tracking staffs and visitors. Only authorized users are able to access to specific areas

through the flap barriers. Lights on the barriers are to indicate status of the flap barriers. Steady green lights indicate locked barriers. Blinking green lights indicate accessible barriers.

ZKTeco's assembled access control system significantly reduces costs for business partners. RFID, fingerprint verification, face recognition, and vein verification technologies are available for options of flexible access control system.

Features

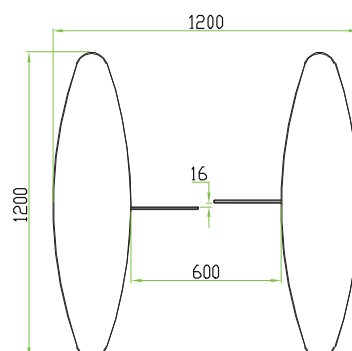
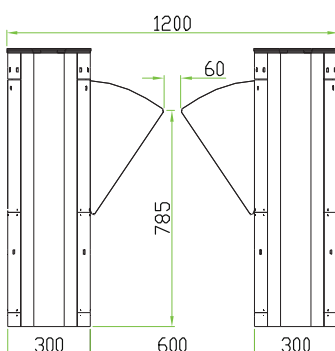
- Electronic Anti-Pinch Function: Auto-suspension of door closure when human is detected.
- Direct Current Operation: Low failure rate to ensure stability and reliability
- Alarm Function: Auto warning and alarming if unauthorized entry with swiping card occurs.
- Multiple lid options for different decorative style

Specifications

Passage Width	600mm
Capacity	25-30/minute
Flap opening/closing time	1S
Overall Width	1200mm
Barrier Height	785mm
Power Supply	AC110-220V,50Hz/60Hz
Operating Power Consumption	110W
Stationary Power Consumption	60W
Temperature	-28-60 °C
Net Weight	135Kg(FB3000), 86Kg(FB3200)
Gross Weight	197Kg(FB3000), 121Kg(FB3200)
Two way traffic	Yes
Automatic Operation	Yes
Advanced sensor system	Yes
Audible alarm	Yes
LED lighting	Yes
Traffic indicator	Yes
Fail-safe	Yes

Model	FB3000	FB3011	FB3022	FB3200	FB3211	FB3222
Access Control	N/A	C3-200	inBIO260	N/A	C3-200	inBIO260
Reader	N/A	2*KR100E	2*FR1200	N/A	2*KR100E	2*FR1200
Card Capacity	N/A	30,000	30,000	N/A	30,000	30,000
Fingerprint Capacity	N/A	N/A	3,000	N/A	N/A	3,000
Event Capacity	N/A	100,000	100,000	N/A	100,000	100,000

Dimensions (mm)



ZKTeco Inc.
www.zkteco.com



© Copyright 2015. ZKTeco Inc. ZKTeco Logo is a registered trademark of ZKTeco or a related company. All other product and company names mentioned are used for identification purposes only and may be the trademarks of their respective owners. All specifications are subject to change without notice. All rights reserved.